

APPLICATION:

Single point scales whose platform is up to 400mm x 450mm

CAPACITY RANGE:

5kg - 10kg - 20kg - 50kg - 100kg - 200kg

MATERIAL:

Aluminium

ENVIRONMENTAL PROTECTION:

IP66

APPROVALS:

From 50kg & 200kg
CE- 3000Div - E-09.02.C02
According to OIML - R60

CHARACTERISTICS

Construction in special aluminium, only 40mm high.

High quality protection with special silicones.

Overload top to 0,3mm.

10Nm torque with M6-10,9 screw.

Mounting compatibility.

APPLICATIONS

The AM1 model is specially designed for platforms up to 400mm x 450mm with very low profile and is protected from environmental conditions that occur in industry and commercial premises.

OPTIONS

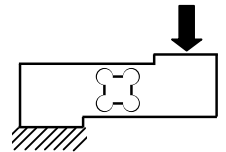
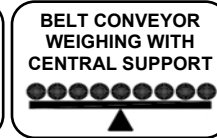
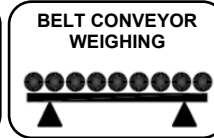
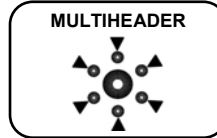
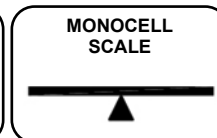
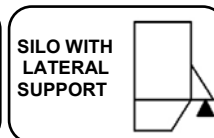
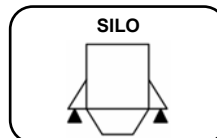
Consult for special requirements.

IP66

M

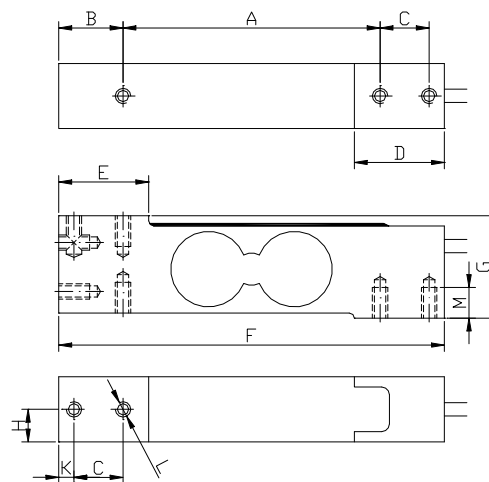


C3

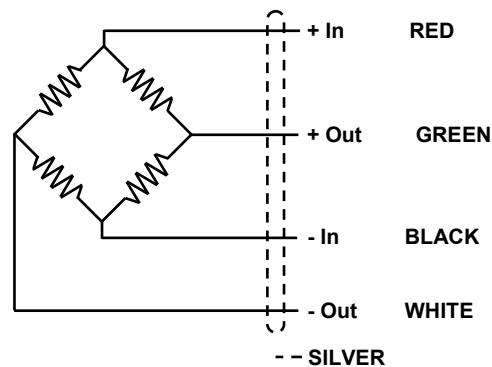


All the internal cables are protects

	A	B	C	D	E	F	G	H	I	J	K	L	M
mm	100	25	19.1	35	35	150	40	12.7	25.4	10.45	5.9	M6(X7)	13



Dimensions in mm



GENERAL TECHNICAL CHARACTERISTICS FOR $g= 9,8031 \text{ m/ s}^2$

OIML Class	C3	UNIDADES
Divisions n_{LC}	3000	
Minimum Dead load E_{min}	0	kg
$Z= E_{max} / 2DR$	3000	
$Y= E \text{ max.} / V_{min.}$	7500	
Rated Capacity E_{max}	5 -10 - 20 - 50 - 100 - 200	kg
Rated Sensitivity C	$2 \pm 10 \%$	mV/V
Rated Input Voltage	10	V dc
Input Voltage Range	5...15	V ac/dc
Input Resistance R_{LC}	410 ± 15	Ω
Output Resistance	350 ± 7	Ω
Zero Balance	± 2	% Emax
Insulation Resistance at 50 V DC	> 5000	M Ω
Service Overload	> 150	% Emax
Overload Limit	> 300	% Emax
Temperature Range : Compensated	- 10 ... 40	$^{\circ}\text{C}$
: Operating	- 30 ... 85	$^{\circ}\text{C}$
: Storage	- 30 ... 90	$^{\circ}\text{C}$
Max. Nonlinearity	0,017	% Emax
Max. Hysteresis	0,017	% Emax
Max. No repeatability	0,017	% Emax
M Max. Creep in 4 hours	0,03	% Emax
Max. Zero Recovery Test in 1/2 hour	0,011	% Emax
Max Temperature effect : On Sensitivity	0,012	% Emax / $^{\circ}\text{C}$
: On Zero	0,0014	% Emax / $^{\circ}\text{C}$
Weight	420	g
Cable Length	2	m
Environmental Protection	IP66 - DIN 40050	