

APPLICATION:

Single point scales whose platform is up to 600mm x 700mm

CAPACITY RANGE:

250kg

MATERIAL:

Aluminium

ENVIRONMENTAL PROTECTION:

IP66

APPROVALS:

According to OIML - R60

CHARACTERISTICS

Special aluminium construction, only 47mm high.

High quality protection with special silicones.

Overload top to 0,3mm.

42Nm torque with M8-12.9 screw.

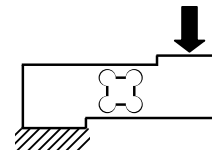
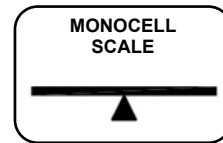
Mounting compatibility.

APPLICATIONS

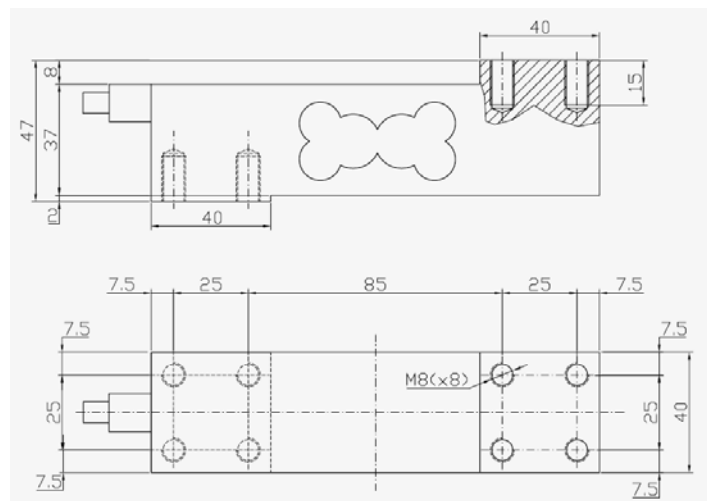
The AM25 model is specially designed for platforms up to 600mm x 700mm with very low profile and is protected from environmental conditions that occur in industry and commercial premises.

OPTIONS

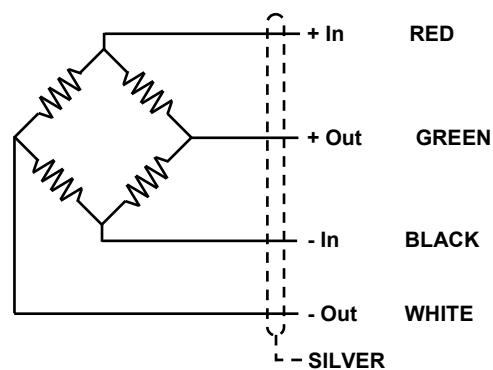
Consult for special requirements.



All the internal cables are protected



Dimensions in mm



GENERAL TECHNICAL CHARACTERISTICS FOR $g= 9,8031 \text{ m/ s}^2$

OIML Class	C3	UNITS
Divisions n_{LC}	3000	
Minimum Dead load E_{min}	0	kg
$Z= E_{max} / 2DR$	3000	
$Y= E_{max} / V_{min}$	7500	
Rated Capacity E_{max}	250	kg
Rated Sensitivity C	$2 \pm 10 \%$	mV/V
Rated Input Voltage	10	V dc
Input Voltage Range	5...15	V ac/dc
Input Resistance R_{LC}	410 ± 10	Ω
Output Resistance	350 ± 3	Ω
Zero Balance	± 2	% Emax
Insulation Resistance at 50 V DC	> 5000	M Ω
Service Overload	> 150	% Emax
Overload Limit	> 300	% Emax
Temperature Range : Compensated	- 10 ... 40	$^{\circ}\text{C}$
: Operating	- 30 ... 85	$^{\circ}\text{C}$
: Storage	- 30 ... 90	$^{\circ}\text{C}$
Max. Nonlinearity	0,02	% Emax
Max. Hysteresis	0,02	% Emax
Max. No repeatability	0,01	% Emax
M Max. Creep in 4 hours	0,03	% Emax
Max. Zero Recovery Test in 1/2 hour	0,011	% Emax
Max Temperature effect : On Sensitivity	0,0013	% Emax / $^{\circ}\text{C}$
: On Zero	0,0014	% Emax / $^{\circ}\text{C}$
Weight	600	g
Cable Length	0,9	m
Environmental Protection	IP66 - DIN 40050	