

APPLICATION:

High capacity and silos

CAPACITY RANGE:

50t - 100t - 250t - 500t - 800t - 1000t

MATERIAL:

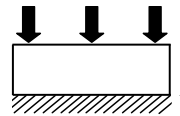
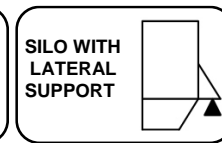
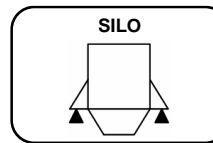
Stainless steel

ENVIRONMENTAL PROTECTION:

IP67

APPROVALS:

According to OIML - R60



TEFLÓN® protects all the internal cables

CHARACTERISTICS

Construction using stainless steel.
Efficient internal protection against the strong induced currents from lightning.
Mounting compatibility.

APPLICATIONS

The CA model is manufactured to maintain its performance capabilities in external environmental conditions. Its application is the load control in high capacity silos. Also, it substitutes level indicators with higher precision and reliability.

OPTIONS

Dimensions, specifications and capacities for any application complemented with finite element studies about performance.

Length of the cable is optional.

Consult for special requirements.

ATEX option

EC-Type examination certificate

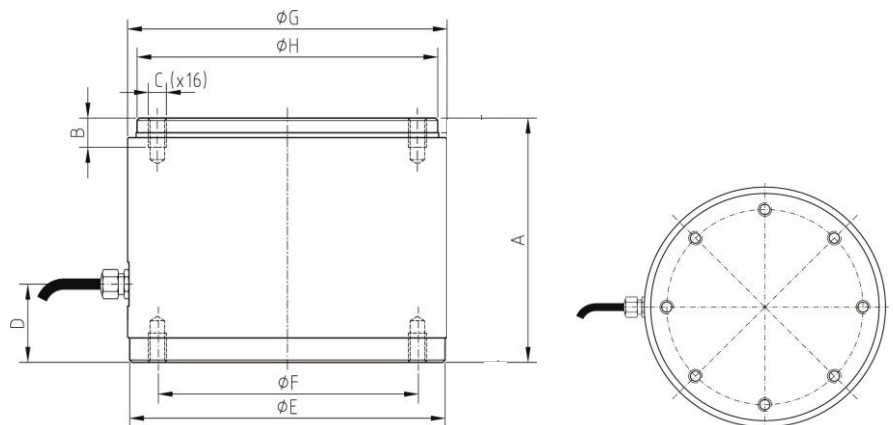
CEC 11 ATEX 040 X according directive 94/9/EC

Ex II 1G EExia IIC T6 (Ta-20÷+40°C)
TX (Ta-20÷+65°C)

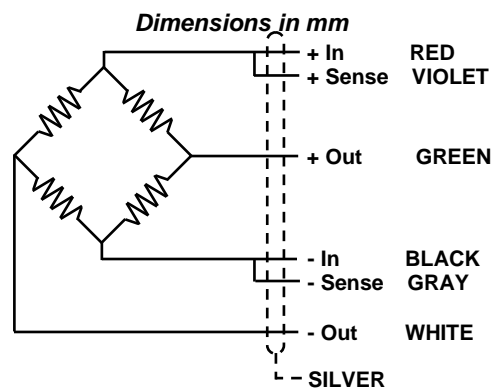
Ex II 1D tD A20 TX°C (Ta-20÷+40°C)
TX°C (Ta-20÷+65°C)

For more information look up the EC-type examination certificate, and documentation.

Consult for special requirements.



t	A	B	C	D	E	F	G	H
50/100/ 250	100	12	M8 (x8)	32	140	115	141,3	133
500	100	18	M12 (x12)	32	168	115	168	160,5
800/1000	200	30	M20x24	83	219	150	219	210



GENERAL TECHNICAL CHARACTERISTICS FOR $g= 9,8031 \text{ m/ s}^2$

OIML Class	D 0,5	UNITS
Divisions n_{LC}	500	
Minimum Dead load E_{min}	0	kg
$Z= E_{max} / 2DR$	500	
$Y= E_{max} / V_{min}$	5000	
Rated Capacity E_{max}	50 - 100 - 250 - 500 - 800 - 1000	t
Rated Sensitivity C	$2 \pm 1 \%$	mV/V
Rated Input Voltage	10	V dc
Input Voltage Range	5...15	V ac/dc
Input Resistance R_{LC}	1050 ± 20	Ω
Output Resistance	1050 ± 20	Ω
Zero Balance	± 2	% E_{max}
Insulation Resistance at 50 V DC	> 5000	M Ω
Overload Limit	> 150	% E_{max}
Temperature Range : Compensated	- 10 ... 40	$^{\circ}\text{C}$
: Operating	- 30 ... 85	$^{\circ}\text{C}$
: Storage	- 30 ... 90	$^{\circ}\text{C}$
Max. Nonlinearity	0,15	% E_{max}
Max. Hysteresis	0,15	% E_{max}
Max. No repeatability	0,1	% E_{max}
M Max. Creep in 4 hours	0,05	% E_{max}
Max. Zero Recovery Test in 1/2 hour	0,03	% E_{max}
Max Temperature effect : On Sensitivity	0,0013	% $E_{max} / ^{\circ}\text{C}$
: On Zero	0,0014	% $E_{max} / ^{\circ}\text{C}$
Cable Length	15 (50t -500t) ; 25 (800-1000t)	m
Environmental Protection	IP67 - DIN 40050	



Ref: 491041 / 100 & 200t
Ref: 491042 / 500t